



Box Conveyors Single "V" Roller
Box Conveyors "Three Rollers"



BEDESCHI

Main Characteristics

Main characteristics			Box Conveyors "Three Rollers"	
Limitation in length			150m	
Limitation in capacity			no	
Reference speed [m/s]			3,5 - 4	
Maximum inclination			12	
Power requirement			130% (due to the friction on return side)	
Roller bearing position			On the external side of the box	
Contamination from external pollution (from external to internal)			absent	
Dispersion of handled material			absent	
Cleaning system of box/trays			self cleaning	



Main Carachteristics

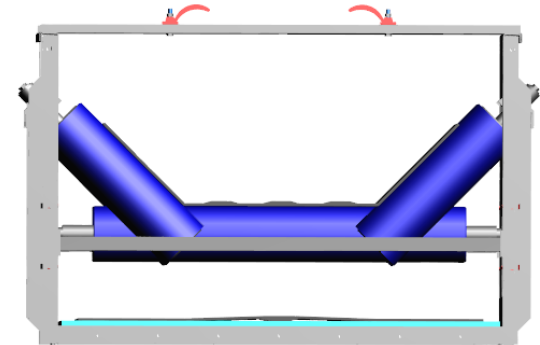
Main carachteristics			Box Conveyors "Three Rollers"	
Presence of scarpers on discharge pulley			no	
Presence of V plough at tail pulley			yes	
Tensioning system			screw	
Presence of snub pulley			never	
Belt type			Usually EP	
Belt splicing			Usually with clips	
Cost (respect to Conventional belt Covneyor)			140%	

BOX CONVEYORS «THREE ROLLERS»

This solution can assure very good results in terms of reduced maintenance activities and performances.

The arrangement consists of:

- 2 lateral inclined rollers 45° with only one external bearing
- 1 horizontal roller with double external bearings
- - no rollers on the return strand



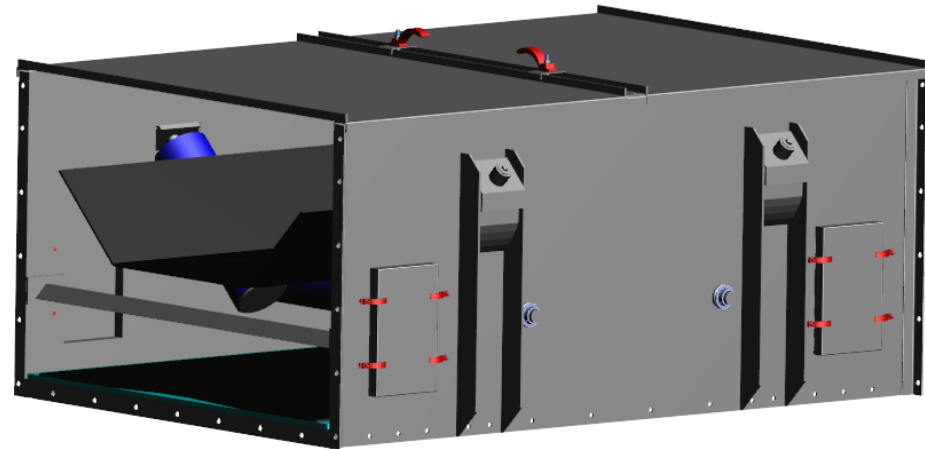
BOX CONVEYORS “THREE ROLLERS”

Main Features

- Rollers have external bearings to simplify maintenance and avoid any possible contamination of grease inside
- Wing and central roller bearings can be shifted to align the belt
- Inspection doors are placed on lateral panels
- Top cover is openable through handles

openable top cover

wing rollers bearings (shiftable for belt tilt)



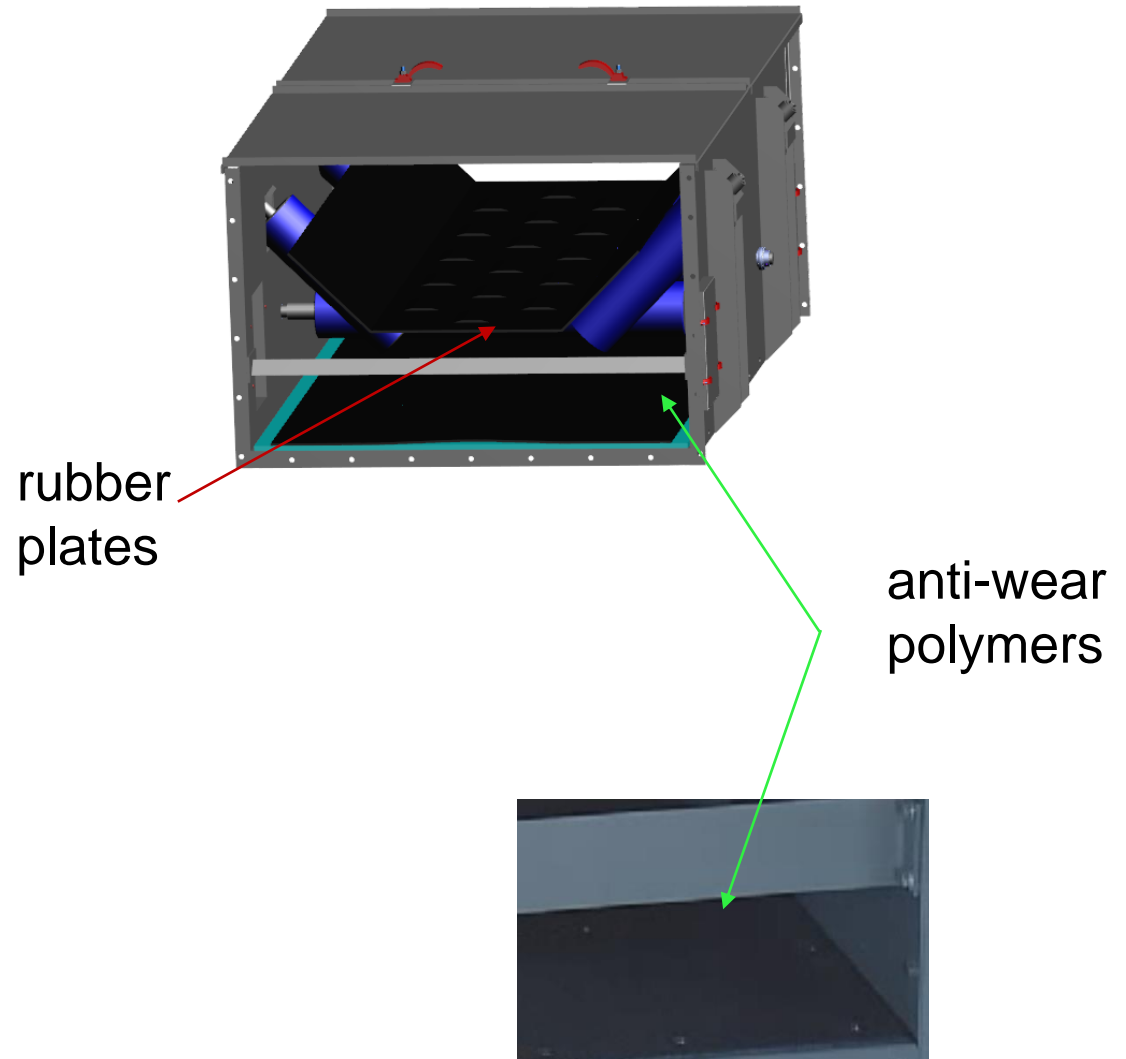
lateral inspection doors

horizontal rollers bearings (shiftable for belt alignment)

BOX CONVEYORS “THREE ROLLERS”

Main Features

- Return side of the belt slides on anti-wear polymers
- Rubber plates are applied on the side of the belt in contact with material. In this way, when on the return side, rubber plates plough spilled material to tail
- Lateral panels are connected with bracings to increase steel sheet stability

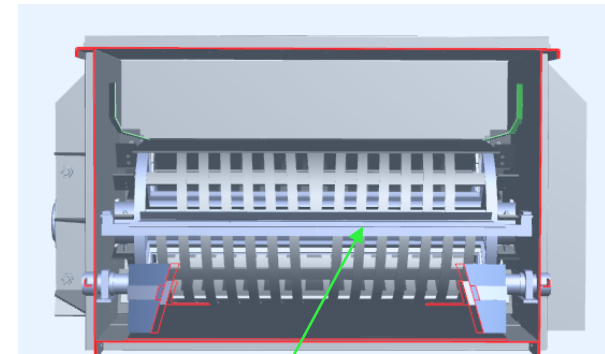
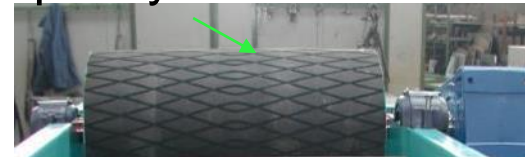


BOX CONVEYORS “THREE ROLLERS”

Main Features

- Pulleys shafts are assembled with locking tape units, fitted on self-aligning pillow-block.
- Head Pulleys are covered with rubber 60 Shore
- Tail pulleys are squirrel cage type, made of steel plates with a double helical profile to convey any possible spilled material to the sides.

rubber lining
for head
pulley



squirrel cage
double
helical pulley

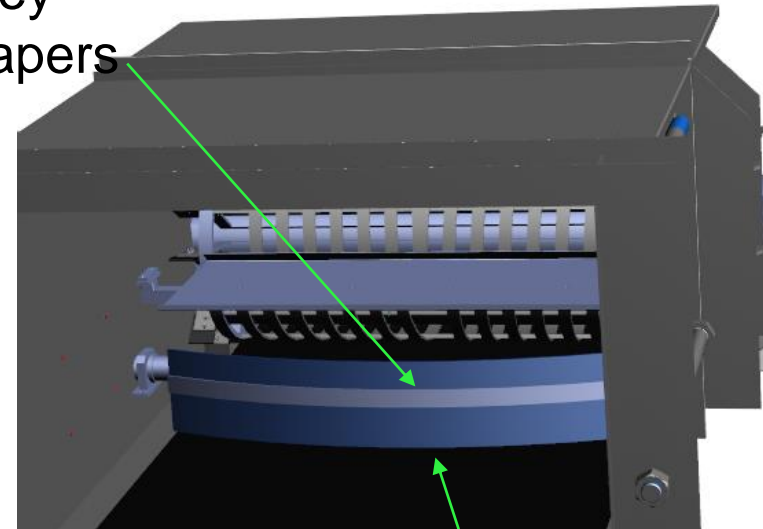
BOX CONVEYORS “THREE ROLLERS”

Main Features

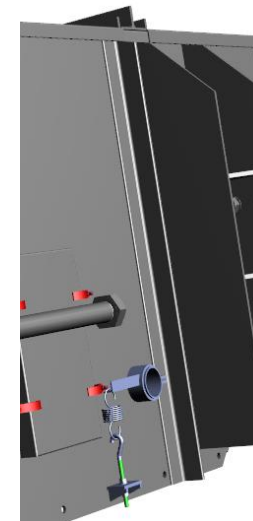
Two scrapers are located at tail pulley:

- a pulley scraper provides to remove any possible build up of grain from pulley plates
- a belt scraper provides to convey to the sides any possible material from the upper side of belt return strand. Belt scraper is kept tensioned in contact through an external pretension spring

pulley
scrapers



belt scraper



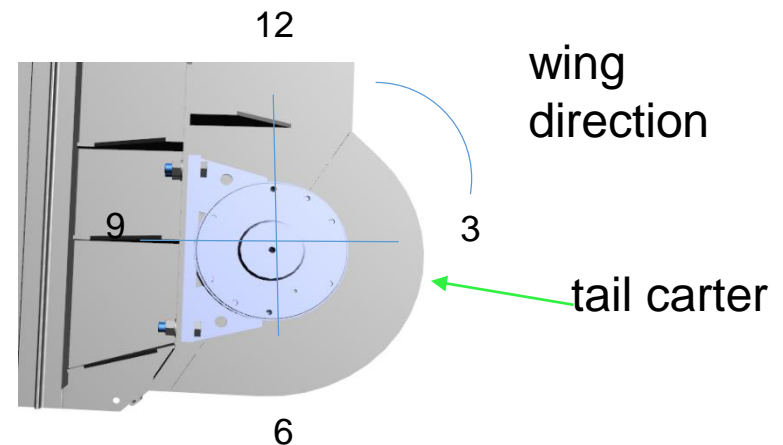
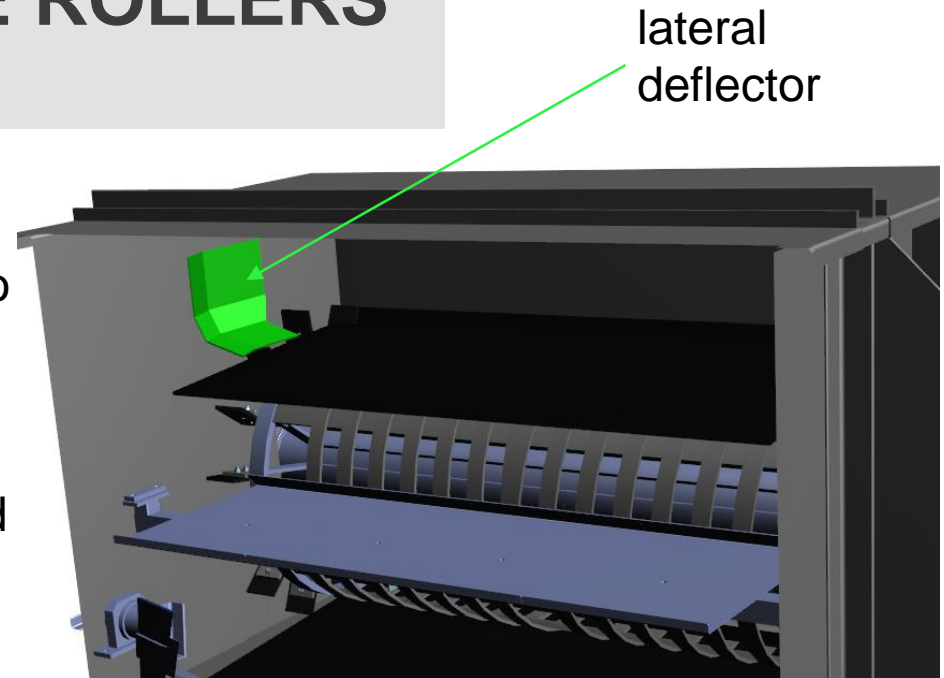
belt scraper
external
tensioning
system

BOX CONVEYORS “THREE ROLLERS”

Main Features

Carry back of spilled material:

- tail pulley is provided with lateral blades to collect carry back material conveyed from belt scrapers
- during pulley rotation, material on blades is contained by tail carter from 6 to 12 and then centrifuged ahead
- lateral upper deflectors collect this material and convey it on the carrying strand of the belt
- carry back material that remain in the centre of the belt is conveyed by the rubber plates and contained by the carter from 6 to 12 and then flow on the carrying strand

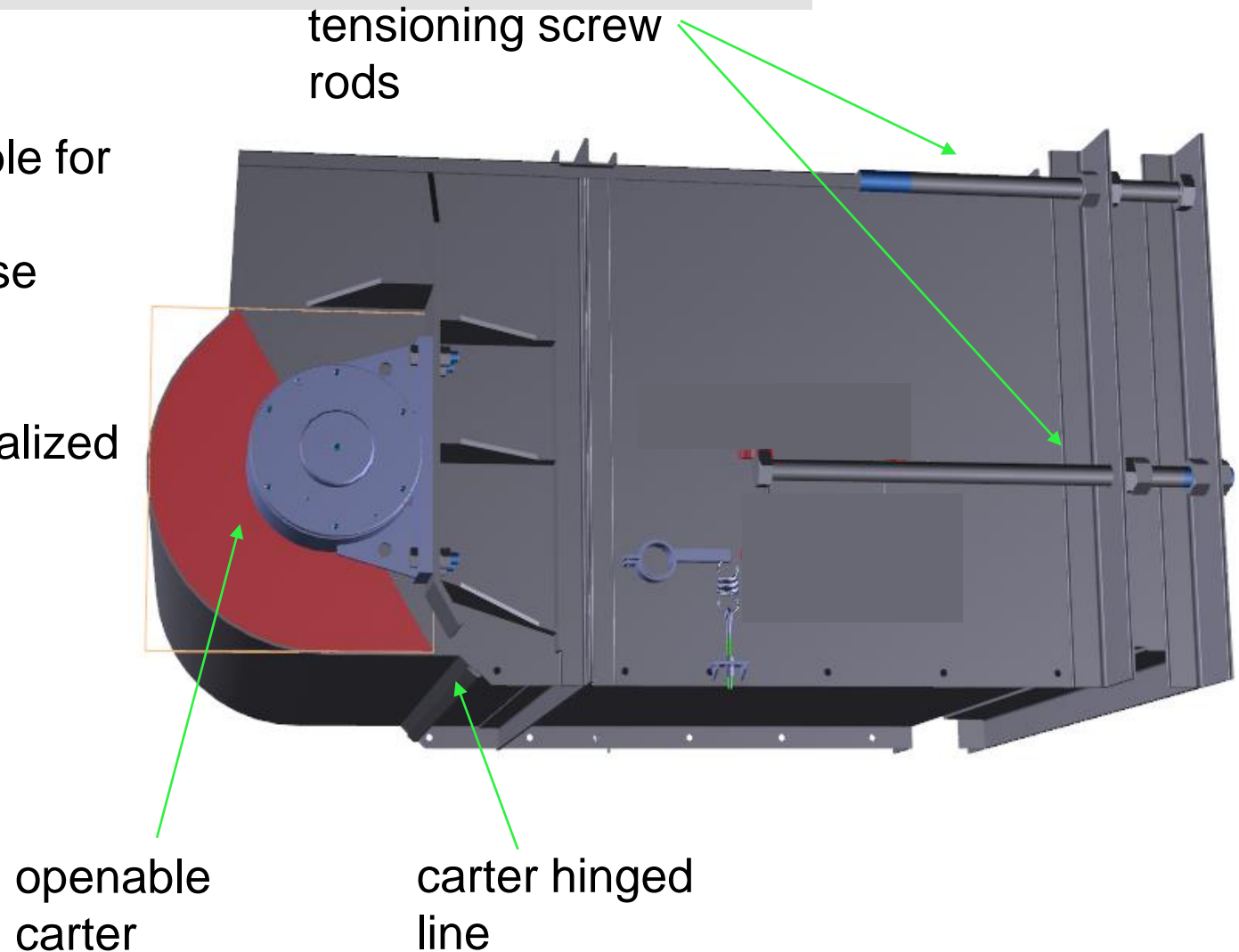


BOX CONVEYORS “THREE ROLLERS”

Main Features

Tail carter is openable for any inspection and maintenance purpose

Belt tensioning is realized by screw rods at tail



BOX CONVEYORS “THREE ROLLERS” In-house fabrication

Our equipment are in house designed and produced in our workshops



Limena
workshop



Lallio
workshop

BOX CONVEYORS “THREE ROLLERS”

In-house fabrication

Our equipment are in house designed and produced in our workshops



Completely enclosed conveyors

Bedeschi S.p.A.
Via Praimbole, 38 - 35010
Limena (PD) – Italy
Phone. +39.049.7663100 -
Fax. +39.049.8848006
E-mail sales@bedeschi.com
Web www.bedeschi.com